



让工业环保变得更简单!  
Let Industry Environmental Protection Become more Simple

# 穿壁联接器

## WALL CONNECTOR

阀用安装配件  
F A P



江苏欧顿环保科技有限公司  
Jiangsu Outans Environmental Protection Technology Co.,LTD.



## 公司简介

### COMPANY PROFILE

#### 关于欧顿

常州欧顿环保科技有限公司,位于江苏省常州市,是一家专注于环保事业的重点企业,公司率先在同行业中通过ISO9001-2008质量体系认证,获得多项国家发明专利证书。公司将秉承"以人为本,科技创新"的原则,致力于袋式除尘器配件的研制、开发和制造,公司产品包括电磁脉冲阀、清灰控制仪、滤袋、弹簧、框架、专用配件、电气控制柜及过滤筒等,是国内生产袋式除尘器配件品种较为齐全、质量最为稳定的高新技术企业。其袋式除尘产品广泛应用于电力、冶金、建材、垃圾焚烧、化工等行业。在过去的数年里,公司的产品和服务得到了市场的认可及肯定,产品出口到数十个国家。

#### 公司规模

公司占地面积20000平方米,建筑面积15000平方米,公司拥有年产25万只电磁脉冲阀生产线、200万只滤袋专用生产线,年产2万台清灰控制仪净化车间。公司测试设备齐全,生产工艺先进,所具有基本实现自动化及半自动化生产。使产品性能和质量较为稳定,从而保证了欧顿产品的市场竞争力。

#### 员工素质

人力资源是体现在企业员工身上的才能,包括专业素质、文化素质、创造力、解决问题的能力、执行能力,也包括管理层的领导能力等,市场竞争归结到底是企业间的人才的竞争。欧顿仍处于快速发展阶段,公司注重员工较高的教育背景,把代表行业专业水平的员工凝聚在公司内部,公司技术力量雄厚,汇聚了专业研发团队,不断地与科研部门联合开发新的技术产品,每个欧顿人的细心与责任确保了每个产品的可靠性,让客户放心、让用户满意,数年来,凭借科技创新,诚信服务,品质第一,为理念,并将之推向市场,使"欧顿"牌产品始终保持良好的市场竞争力。产品远销国内外。

#### 安全诚信

公司对每一个员工都注重安全诚信的培养,建立安全诚信评价标准,定期考核评估,健全安全诚信档案,实施分类动态管理,培育强势安全诚信文化,营造诚信环境,先做个诚信的人,让客户买的放心,用的舒心,无后顾之忧,让安全诚信促发展真正在欧顿企业体系。

#### 欧顿愿景

营造健康和谐的工业环境,创建一流的环保企业,为人类的健康环境做出贡献!科技创造未来!我们只有精益求精,不断发展新的解决方案才能创造真正的客户价值。

## 概述及用途 Description and Usage

穿壁连接器由铝合金铸件、不锈钢冲件、橡胶件组成，用于密封容器内外管道的联接，如脉冲喷吹袋式除尘器的喷吹管与直角式电磁脉冲阀的联接（板壁式），淹没式电磁脉冲阀与输出管的联接（气包式），使用时不需焊接就能固定和可靠密封，便于安装和维修。

A wall connector consists of an aluminum alloy cast part, stainless punched part and rubber part and is for the connection of inner and outer pipe of airtight containers such as the connection between the blowing tube of pulse jet bag-house and rectangular pulse valve (batten wall mounted) and between submerged electromagnetic pulse valve and outlet pipe (head tank mounted). It can be reliably fixed and sealed without welding and is convenient for installation and maintenance.

### 特别提示 Special hint

穿壁连接器可以保持管道气体畅通，并解决管道外及容器的密封。但不能支撑其所联接的管道或容器等部件，用户应采取可靠的措施予以支撑。

A wall connector can keep the gas in the pipe flow freely and effectively seal the container connected to the pipe. But it should not be used to support the parts like the connected pipe and container. The user should take reliable actions to support them.



## 应用范围 Application range

型号 Models	应用范围 Application range
FAP-A-1	多孔板以下换袋的脉冲喷吹袋式除尘器与DMF-ZM系列电磁脉冲阀 Pulse jet bag-house with removable bag and DMF-ZM series electromagnetic pulse valve below perforated plate
FAP-A-2	多孔板以上换袋的脉冲喷吹袋式除尘器与DMF-Z/ZM系列电磁脉冲阀 Pulse jet bag-house with removable bag and DMF-Z/ZM series electromagnetic pulse valve above perforated plate
FAP-A-3	多孔板以上换袋的脉冲喷吹袋式除尘器与DMF-ZM系列电磁脉冲阀 Pulse jet bag-house with removable bag and DMF-ZM series electromagnetic pulse valve above perforated plate
FAP-B-1	方形气包与DMF-Y系列电磁脉冲阀（螺纹式联接） Square head and DMF-Y series electromagnetic pulse valve (thread connection)
FAP-B-2	方形气包与DMF-Y系列电磁脉冲阀（滑动式联接） Square head and DMF-Y series electromagnetic pulse valve (slip connection)
FAP-C-1	圆形气包与DMF-Z系列电磁脉冲阀输入端 Square head and the outlet end of DMF-Z series electromagnetic pulse valve

# 产品结构 Product Structure

## 1

FAP-A型板壁式穿壁连接器有单端、双端、双端带接管三种形式。分别由压紧螺母、碗形垫圈、锥形密封圈、扁螺母、密封片、穿壁管所组成。单端式为一端带有压紧螺母（见图1），双端式两端都带有压紧螺母（见图2）。双端带接管是在双端的基础上增加了与电磁脉冲阀相联接的接管、调节螺母、垫圈、密封垫。接管与穿壁连接器一端的联接由两平面间垫密封片来密封（见图3）。

The FAP-A batten wall type wall connector is divided into three types-the single type, dual end type and dual end plus pipe type respectively consisting of compression nut, bowl washer, conical seal washer, jam nut, seal piece and wall-crossing pipe. The single end type has a compression nut at one end(see Figure 1). The dual end type has compression nuts at two ends (see Figure 2). The dual end plus pipe type is added with pipe connecting electromagnetic pulse valve, adjusting nut, washer and seal washer on the basis of the dual end type. The connection between the pipe and one end of the wall connector is sealed with a seal piece between the two planes (see Figure 3).

图1 FAP-A-1型单端式结构图

Fig.1. Structure of FAP-A-1 single end type

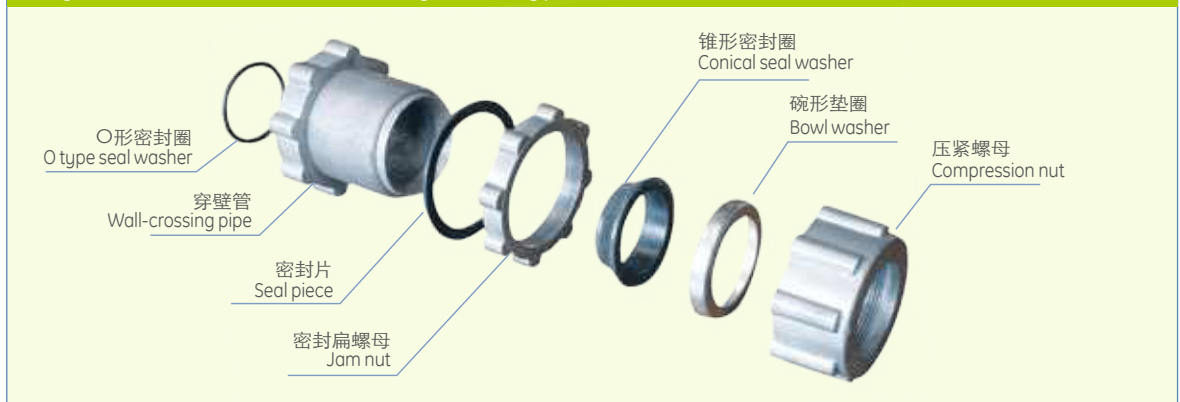


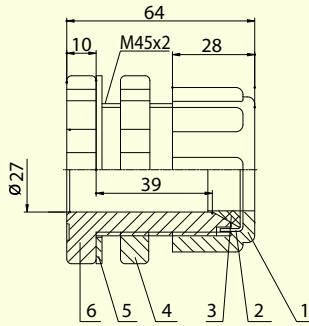
图2 FAP-A-2型双端式结构图

Fig.2. Structure of FAP-A-2 dual end type

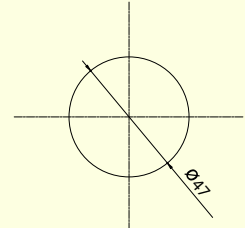
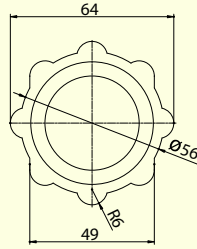


# 产品尺寸

## FAP-A-1-20

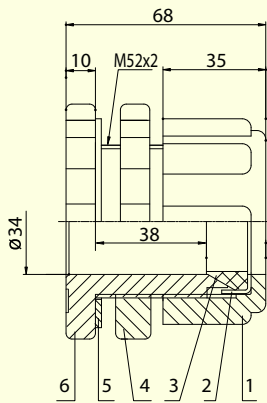


1. 压紧螺母  
Compression nut
2. 碗形垫圈  
Bowl washer
3. 锥形密封圈  
Conical seal washer
4. 密封扁螺母  
Jam nut
5. 密封片  
Seal piece
6. 穿壁管  
Wall-crossing pipe

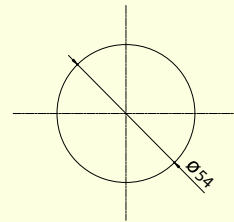
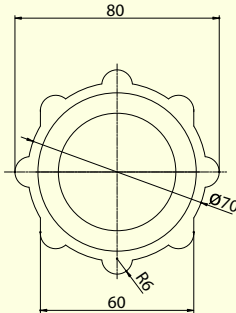


安装孔尺寸  
Hole size for assembly

## FAP-A-1-25

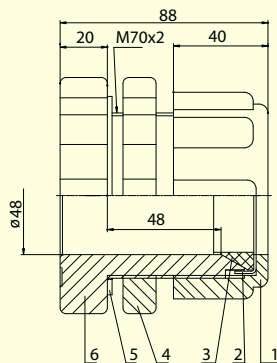


1. 压紧螺母  
Compression nut
2. 碗形垫圈  
Bowl washer
3. 锥形密封圈  
Conical seal washer
4. 密封扁螺母  
Jam nut
5. 密封片  
Seal piece
6. 穿壁管  
Wall-crossing pipe

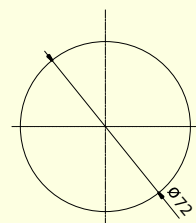
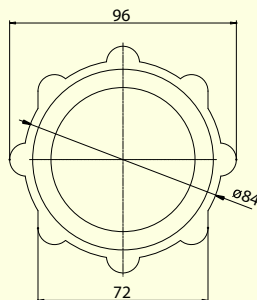


安装孔尺寸  
Hole size for assembly

## FAP-A-1-40



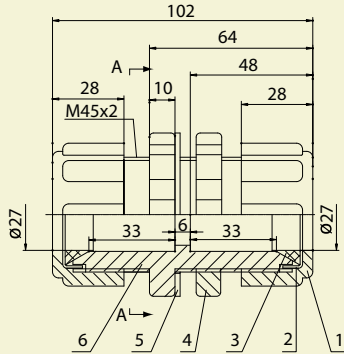
1. 压紧螺母  
Compression nut
2. 碗形垫圈  
Bowl washer
3. 锥形密封圈  
Conical seal washer
4. 密封扁螺母  
Jam nut
5. 密封片  
Seal piece
6. 穿壁管  
Wall-crossing pipe



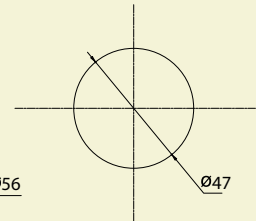
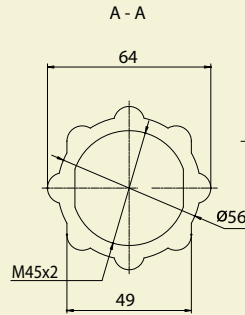
安装孔尺寸  
Hole size for assembly

# 产品尺寸

## FAP-A-2-20

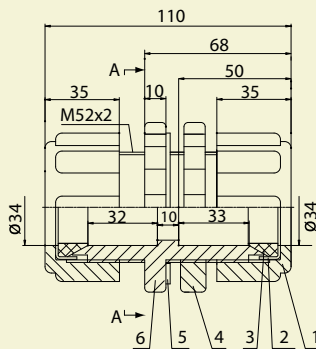


1. 压紧螺母  
Compression nut
2. 碗形垫圈  
Bowl washer
3. 锥形密封圈  
Conical seal washer
4. 密封扁螺母  
Jam nut
5. 密封片  
Seal piece
6. 穿壁管  
Wall-crossing pipe

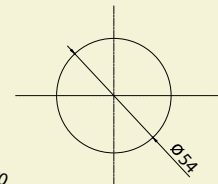
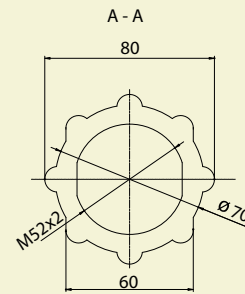


安装孔尺寸  
Hole size for assembly

## FAP-A-2-25

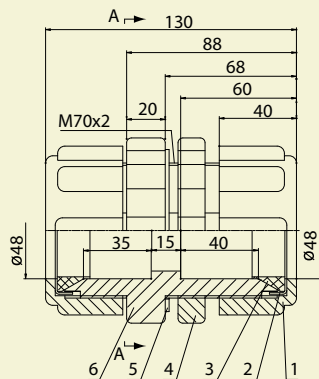


1. 压紧螺母  
Compression nut
2. 碗形垫圈  
Bowl washer
3. 锥形密封圈  
Conical seal washer
4. 密封扁螺母  
Jam nut
5. 密封片  
Seal piece
6. 穿壁管  
Wall-crossing pipe

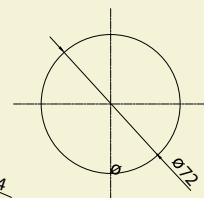
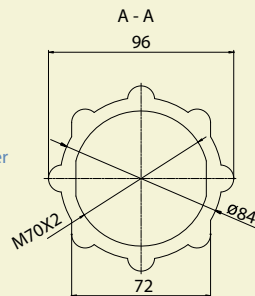


安装孔尺寸  
Hole size for assembly

## FAP-A-2-40



1. 压紧螺母  
Compression nut
2. 碗形垫圈  
Bowl washer
3. 锥形密封圈  
Conical seal washer
4. 密封扁螺母  
Jam nut
5. 密封片  
Seal piece
6. 穿壁管  
Wall-crossing pipe



安装孔尺寸  
Hole size for assembly

# 安装方法 Installation

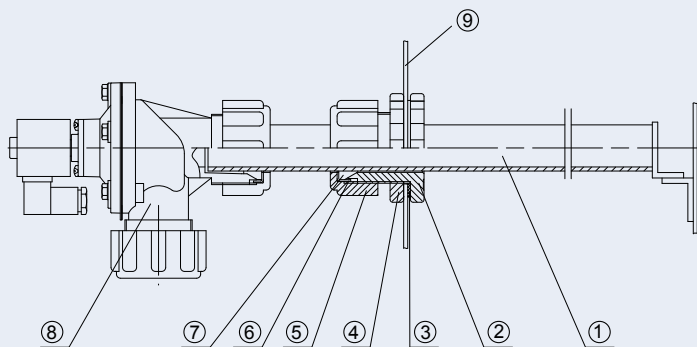
使用情况作适当变动，用户在安装各种连接器时请注意以下几点：

s reference and are subject to change as per the actual application. When installing them, users should pay attention to the following points:

- |   |   |
|---|---|
| 1 | <p>在安装的板壁或气包上的开孔尺寸大小要合适，偏小了不便安装并易损坏螺纹，过大了会影响密封和定位。</p> <p>The sizes of the hole in the batten wall or the head tank should be proper. Too small sizes are not convenient for installation and may result in the threads' damage. Too large sizes will affect the seal and location.</p>         |
| 2 | <p>各种零件的安装位置要正确，特别是密封件的安装位置更为重要，否则将影响密封性能。</p> <p>Locate the parts properly in their installation, especially the seal piece. Otherwise, the airtight property will be affected.</p>  |
| 3 | <p>在需要密封的罗纹处，产品出厂时已在罗纹处涂上密封膏，适当拧紧即可密封（密封膏可多次拆装仍有效）。</p> <p>The producer has applied the seal cream (it is effective after several times of dismantling and installing) on the threads that need to be sealed when the product is delivered. Properly tighten the parts may ensure the seal.</p> |
| 4 | <p>在安装滑动式气包穿壁连接器时，穿壁管在插入阀体密封圈前请适当涂上润滑剂，以方便安装。</p> <p>When installing the slip head wall connector, properly apply the lubricant before putting the wall-crossing pipe through the valve's seal washer for convenient installation.</p>  |
| 5 | <p>穿壁管和螺母在旋进时，螺纹间应无杂质，必要时可涂上润滑剂，并不可过份拧紧以免造成螺纹的损坏。</p> <p>There should not be any substance between threads. Apply the lubricant if necessary. Tighten the crossing pipe and nut properly to avoid any damage to threads.</p>  |

## FAP-A-1型安装图

### Installation of FAP-A-1



1. 喷吹管  
Blowing tube
2. 穿壁管  
Wall-crossing pipe
3. 密封片  
Seal piece
4. 密封扁螺母  
Jam nut
5. 压紧螺母  
Compression nut
6. 碗形垫圈  
Bowl washer
7. 锥形密封圈  
Conical seal washer
8. 电磁脉冲阀  
Electromagnetic pulse valve
9. 除尘器箱体板壁  
Bulkhead of tank

# 安装方法 Installation

1

在安装的板壁或气包上的开孔尺寸大小要合适，偏小了不便安装并易损坏螺纹，过大了会影响密封和定位。

The sizes of the hole in the batten wall or the head tank should be proper. Too small sizes are not convenient for installation and may result in the threads' damage. Too large sizes will affect the seal and location.

2

各种零件的安装位置要正确，特别是密封件的安装位置更为重要，否则将影响密封性能。

Locate the parts properly in their installation, especially the seal piece. Otherwise, the airtight property will be affected.

3

在需要密封的罗纹处，产品出厂时已在罗纹处涂上密封膏，适当拧紧即可密封（密封膏可多次拆装仍有效）。

The producer has applied the seal cream (it is effective after several times of dismantling and installing) on the threads that need to be sealed when the product is delivered. Properly tighten the parts may ensure the seal.

4

在安装滑动式气包穿壁连接器时，穿壁管在插入阀体密封圈前请适当涂上润滑剂，以方便安装。

When installing the slip head wall connector, properly apply the lubricant before putting the wall-crossing pipe through the valve's seal washer for convenient installation.

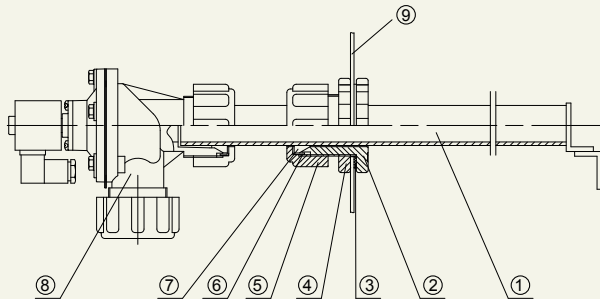
5

穿壁管和螺母在旋进时，螺纹间应无杂质，必要时可涂上润滑剂，并不可过份拧紧以免造成螺纹的损坏。

There should not be any substance between threads. Apply the lubricant if necessary. Tighten the crossing pipe and nut properly to avoid any damage to threads.

## FAP-A-1型安装图

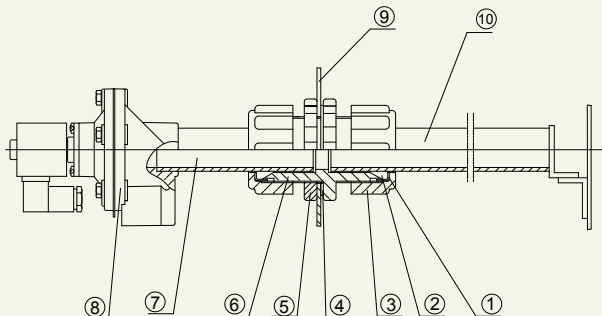
### Installation of FAP-A-1



1. 喷吹管  
Blowing tube
2. 穿壁管  
Wall-crossing pipe
3. 密封片  
Seal piece
4. 密封扁螺母  
Jam nut
5. 压紧螺母  
Compression nut
6. 碗形垫圈  
Bowl washer
7. 锥形密封圈  
Conical seal washer
8. 电磁脉冲阀  
Electromagnetic pulse valve
9. 除尘器箱体板壁  
Bulkhead of tank

## FAP-A-2型安装图

### Installation of FAP-A-2



1. 碗形垫圈  
Bowl washer
2. 锥形密封圈  
Conical seal washer
3. 压紧螺母  
Compression nut
4. 密封片  
Seal piece
5. 密封扁螺母  
Jam nut
6. 穿壁管  
Wall-crossing pipe
7. 输出管  
Output pipe
8. 电磁脉冲阀  
Electromagnetic pulse valve
9. 除尘器箱体板壁  
Bulkhead of tank
10. 喷吹管  
Blowing tube



### 购买时请用户注意:

在订购时请用户注意FAP型穿壁连接器的型号规格、适用场合及组成零部件。  
随着技术的发展, 本文内容可能会有所变动, 恕不另行通知。用户可向本公司查询。

### Please pay attention to the following points when placing orders:

Please pay attention to the models, specifications, application and parts when placing orders for FAP wall connector.

We keep the right to revise the datum because of the technical development without any prior informing, please feel free to make an inquiry to our company.





关注我，关注更多好产品，尽在欧顿



**江苏欧顿环保科技有限公司**

公司地址：常州市天宁区郑陆镇三河路205号 邮编：213000

销售部：0519-88908185 传真：0519-88908186

0519-88990091 传真：0519-88992007

E-mail: czoudun@sina.com 公司网站：www.czoudun.com

全国统一售后服务：400-0519-880